



Non binding image

Range	Wine by the glass dispenser
Function	To bring to serving temperature (2-temp) To preserve opened bottles
Capacity ⁽¹⁾	8 bottles in service / 6 to 8 bottles in storage

GENERAL FEATURES

- **Packaged dimensions : 1140 x 1200 x 670 mm (H= 910 mm + accessories box 230 mm = 1140 mm)**
- **Dimensions including drip tray (HxWxD) 735 x 1035 x 585 mm ⁽²⁾ - Adjustable feet**
- **Net weight : 97 kg Gross weight : 117 kg**
- Can be flush-fitted - see requirements
- Made in France

FUNCTIONAL FEATURES

- **2 independent compartments** with adjustable temperatures: 6-15°C (43-59°F) on the left / 9-18°C (48-64°F) on the right
- 8 opened bottles (of which 4 Magnums possible ⁽³⁾) + 6 to 8 bottles in storage⁽⁴⁾
- **Preservation of opened bottles** up to 3 weeks
- **3 configurable doses** per tap
- An interface for each use
 - A unique touch-screen for configuration & analysis
 - Rugged push buttons for the service
- Safety lock
- Possibility to connect with a cash-register

TECHNICAL FEATURES

- Production of cold air: Ventilated cold air - Compressor
- Cooling agent: R134a
- Warm air production technology: Heater
- Cords (external power): CE/UK/CH/AU/US/C6/JA
- Type of internal walls: ABS
- Type of exterior coating: Steel
- Type of insulation: Expanded polystyrene
- Tap material: PMMA
- Door material: Full Glass - Triple glazing
- Preservation system: Nitrogen injection

DESIGN

- Lighting : multicolored LEDs for each compartment and for the taps → > 200 shades
- Glass holder per compartment: adjustable & adapted to different sizes or kinds of glass. Holds up to 8 glasses
- Color of external panel : black

MORE & MORE SIMPLICITY...

- A unique touch screen : secure access for manager, integrated tutorials, wine sales statistics...
- Alert message: nitrogen leak, empty bottle, cleaning reminder...
- Cleaning system for all 8 taps simultaneously
- Automatic condensate evaporation
- *Option* : Self service with card

ENERGY CONSUMPTION & PERFORMANCE

- | | |
|---|-------------------|
| • Ambient temperature operating limits | 10-35°C (50-95°F) |
| • Consumption per 24h ⁽⁵⁾ (KWh) | 1.621 |
| • Electrical Power consumption ⁽⁵⁾ (W) | 230 |

OTHER INFORMATIONS



WARRANTY

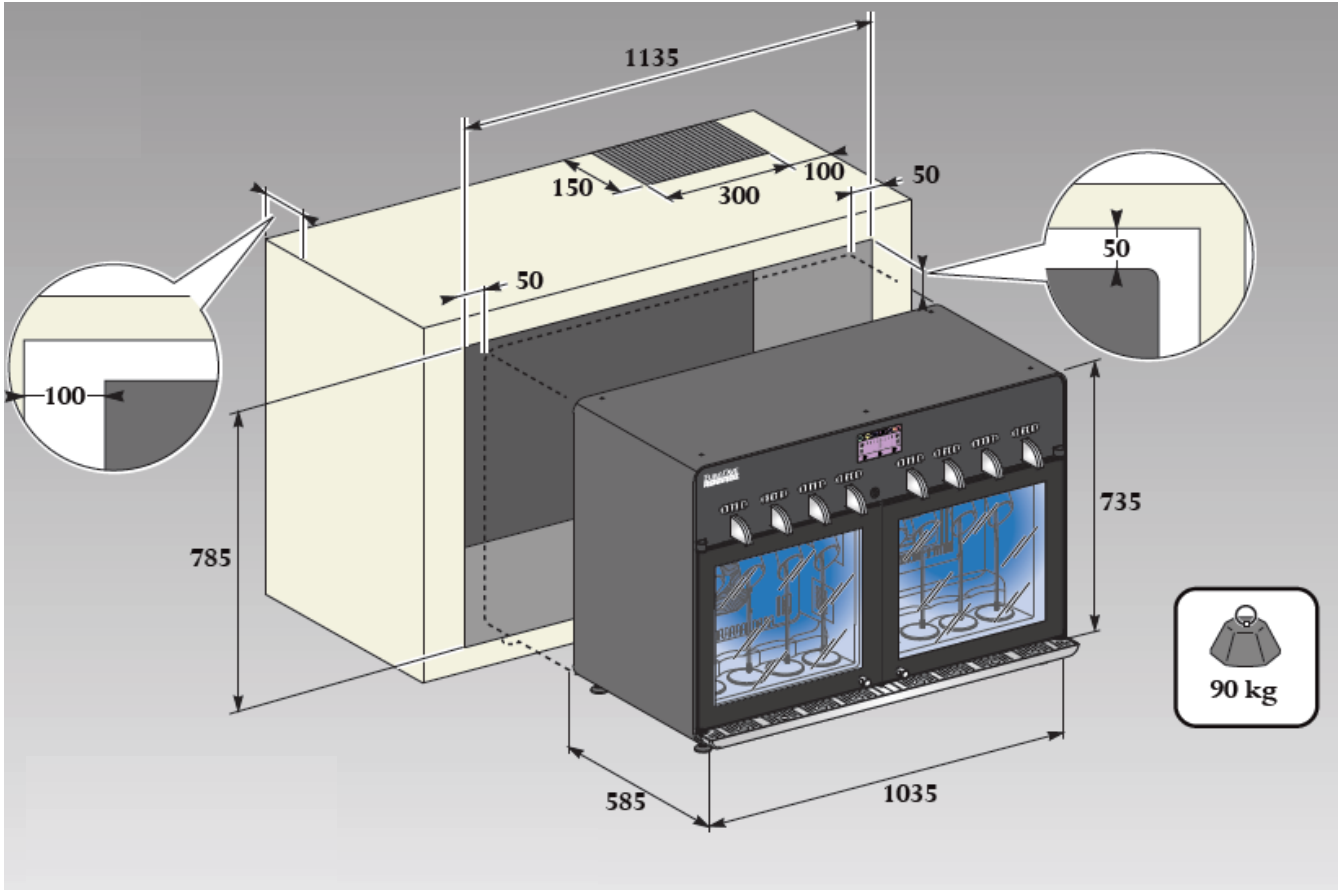
2 years

Certifications



<http://eurocavepro.com/>

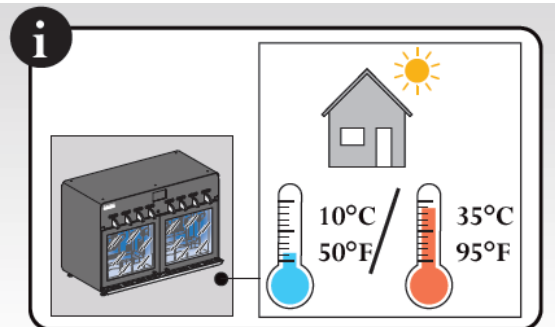
FLUSH-FITTING REQUIREMENTS



H x W x D = 735 x 1035 x 585 mm

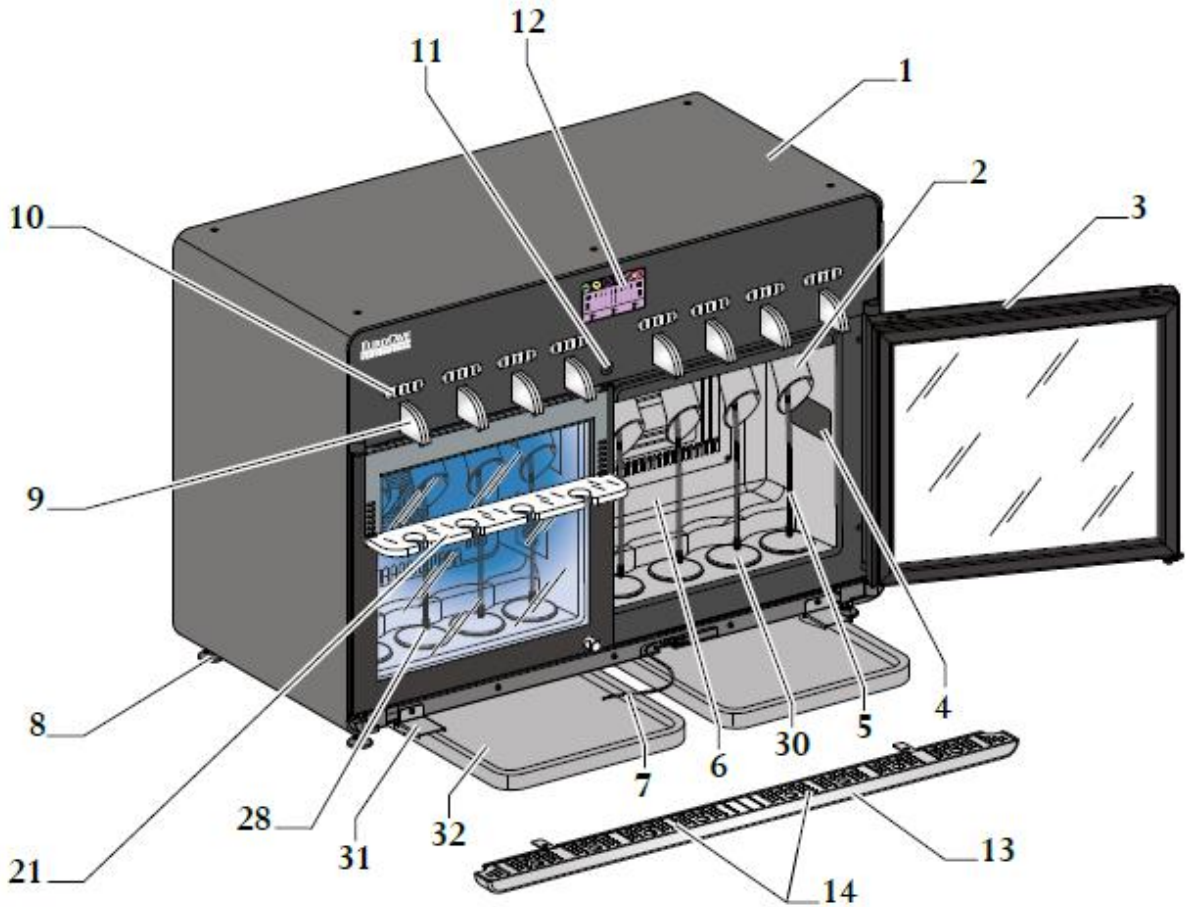
Dimensions include the rear stop - feet adjusted to the lowest

- Maintain 5 cm on each side of the product and above the product
- Plan a ventilation hole on the top of the product
The ventilation hole must be
 - ✓ On the top of the device
 - ✓ To the rear edge of the product
 - ✓ At 100 mm from the side edge



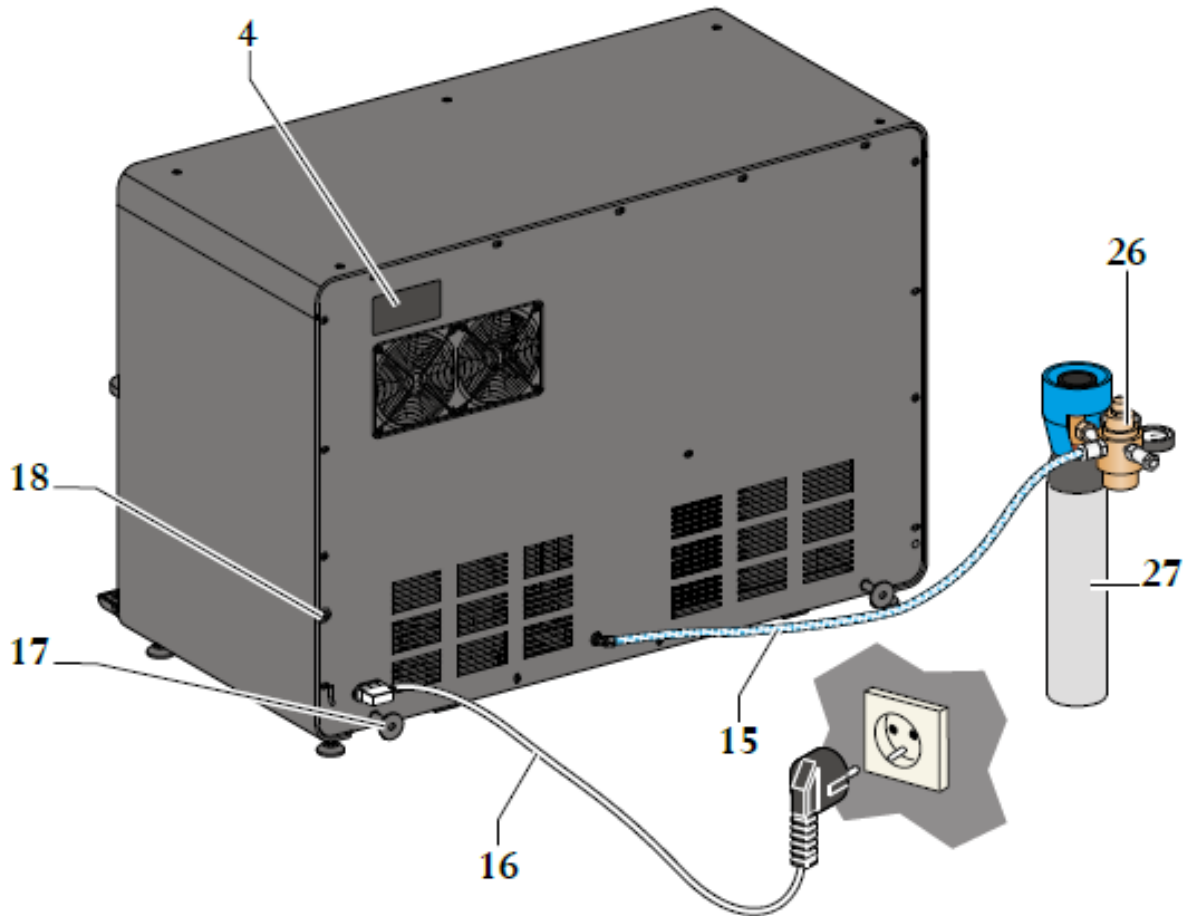
Plan a hole for the nitrogen cylinder connection tube

PRODUCT DESCRIPTION



- | | |
|---|--|
| 1. External casing | 11. Central door lock |
| 2. 8 articulated heads with bottle sockets | 12. Touch screen |
| 3. 2 full glass doors | 13. Drip pan |
| 4. 2 product identification labels with serial number | 14. 2 grids of the drip pan |
| 5. 8 plunge tubes | 21. 2 glass holders |
| 6. 2 service temperature compartments | 28. Plunge filter/strainer |
| 7. Cleaning tube | 30. 8 adjustable bottle supports |
| 8. Adjustable feet | 31. Drip pan support brackets |
| 9. 8 taps | 32. 2 condensate collection drip trays |
| 10. 3 measure selection keys per tap | |

PRODUCT DESCRIPTION



- 4. 2 product identification labels with serial number
- 15. Nitrogen cylinder connection tube (3m)
- 16. Power lead (2m)
- 17. 2 rear stops
- 18. Outlet for cash desk connection
- 26. Pressure reducer
- 27. Nitrogen cylinder (not supplied)