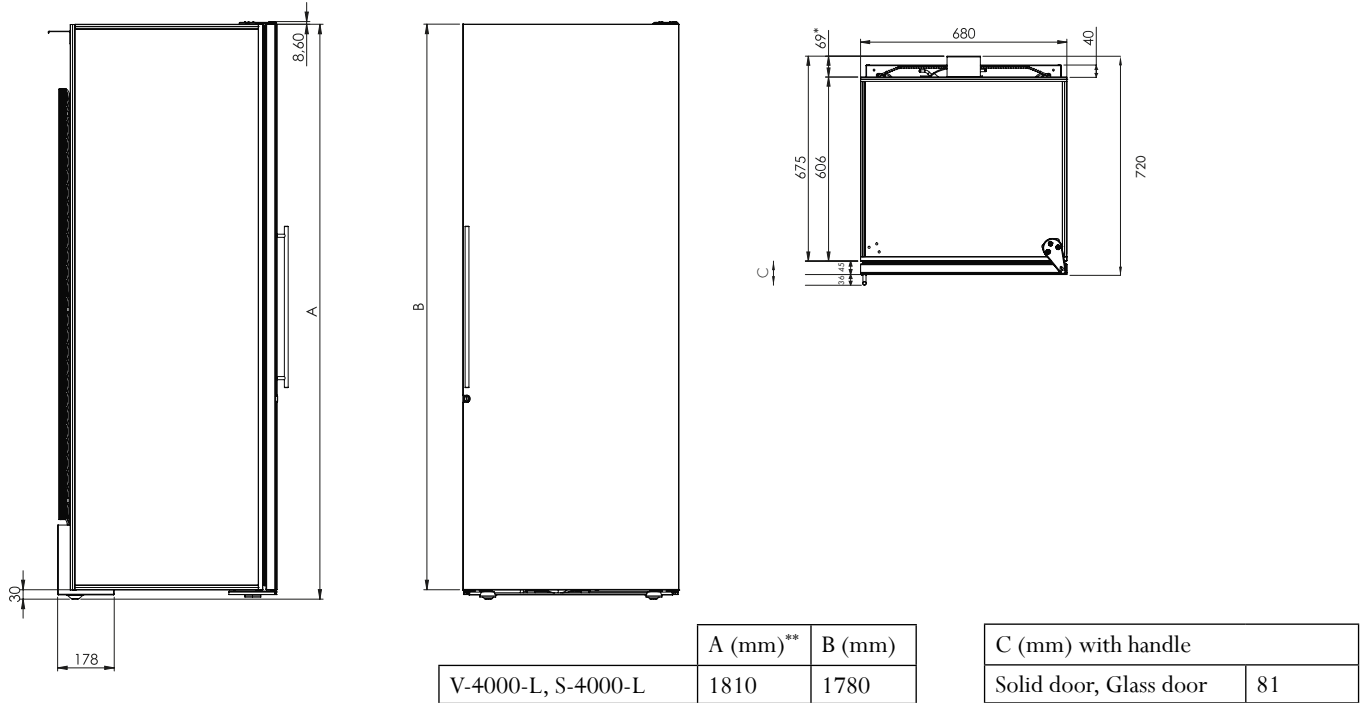
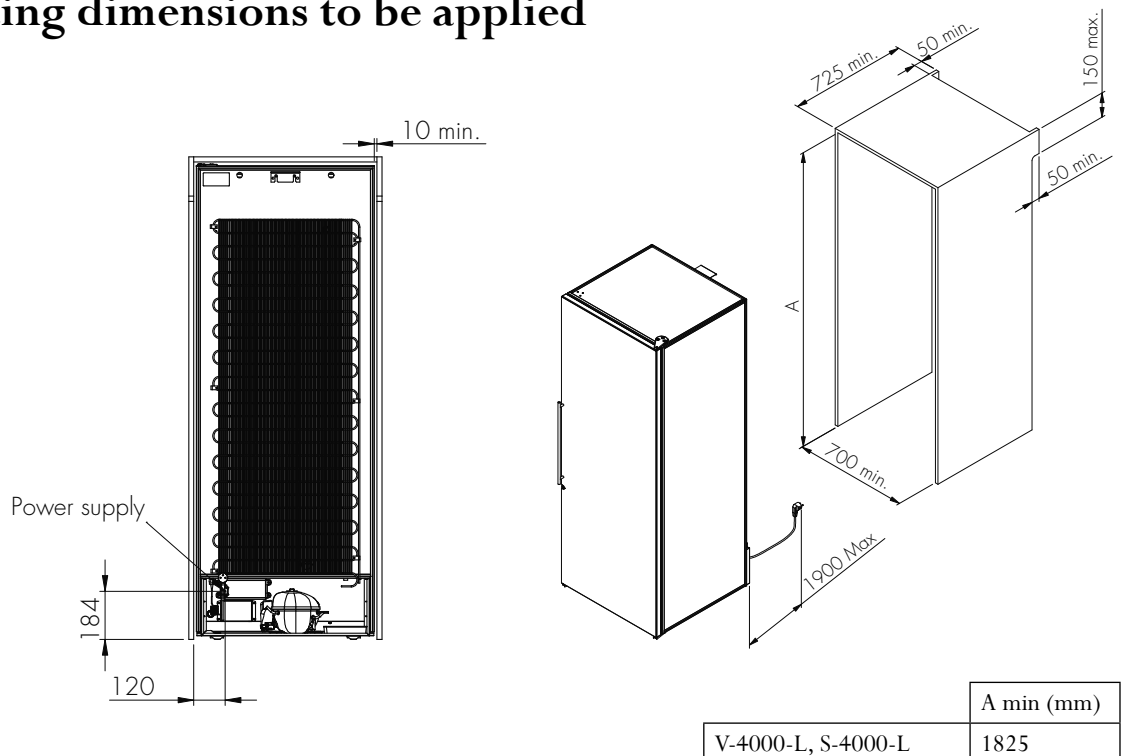


4000 Series dimensions

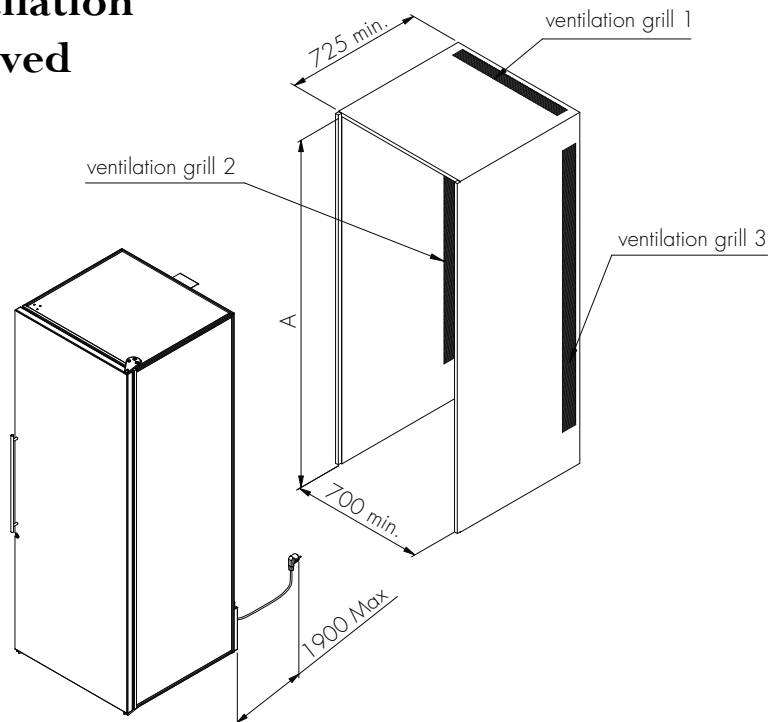


* Rear Stop. Space for ventilation at the rear of the cabinet = 29 mm.
** Adjustable feet at the lowest position.

Flush-fitting dimensions to be applied



Dimensions and ventilation openings to be observed



	A min (mm)	Ventilation grill 1 (cm ²)	Ventilation grill 2 (cm ²)	Ventilation grill 3 (cm ²)
V-4000-L, S-4000-L	1825	350	750	750

Installation

Place your cabinet in the desired location.

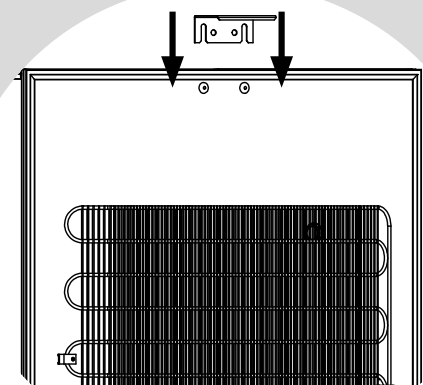
It must be open to the outside and well ventilated (not in an enclosed cupboard, for example), not be too damp (utility room, laundry room, bathroom...), have a flat, stable floor, be supplied with power (standard outlet, 16 A, earthed with 30mA* circuit breaker).

Wait 48hrs before switching on your cabinet.

Stop installation

Install the stop (which is located in the accessories bag) at the back of the cabinet (see diagram). This allows a space of 7 cm to be maintained between the wall and the rear of the cabinet. This space allows your cabinet's power consumption to be optimised.

Place the 2 caps in the 2 holes at the top of the cabinet. Do not push the caps all the way in, allow the rear stop to be fitted. Slide the rear stop between the caps and the wall of the cabinet, then push the 2 caps all the way in.



*not applicable to some countries.